



HARDENED



FLEXIBILITY



ALL GIGABIT



2 + 2



30W†



60W†



The ComNet CNGE2+2SMS[POE][HO] is a four port intelligent switch with light management functionality. It provides two 10/100/1000Base-T(X) copper ports and two 100/1000Base-FX SFP* ports. The CNGE2+2SMS[POE][HO] provides exclusive functionality for easy field deployment including DIP switch based operation of RSTP for creating redundant network topologies as well as preventing network video flooding of multicast traffic when used in a linear or star topology. Ports 1 and 2 can optionally supply up to thirty (30) watts of power per port based on the IEEE 802.3at standard. An optional High Output (HO) version is also available that can supply up to sixty (60) watts of PoE from ports 1 and 2. This product is fully compatible with the ComNet exclusive Copperline SFP modules for operation over extended distance UTP or Coax cable.

FEATURES

- › Several features can be enabled with no programming required:
 - RSTP (Rapid Spanning Tree Protocol)
 - Multicast Flooding Prevention
 - Dual Media Converter Mode
 - Dual Redundant SFP Mode
- › 10/100/1000 Mbps Ethernet
 - 2 x 10/100/1000 BASE-T/TX electrical ports
 - 2 x 100/1000 BASE-FX SFP ports (individually DIP switch selectable)
- › Electrical ports support Auto-Negotiation for 10Mbps, 100Mbps or 1000Mbps, full duplex or half duplex data.
- › SFP Ports support 100 or 1000 Mbps full duplex data
- › SFP Ports compatible with CopperLine® CL-SFP modules
- › IEEE802.3at Power over Ethernet (PoE+)†
- › 30W or 60W PoE+ on Ports 1 and 2†
- › Automatic MDI/MDI-X crossover
- › Designed to meet full compliance with the environmental requirements (ambient operating temperature, mechanical shock, vibration, humidity with condensation, high-line/low-line voltage conditions and transient voltage protection) of NEMA TS-1/TS-2 and the Caltrans Specification for Traffic Signal Control Equipment.
- › PoE status monitoring & automatic reboot function†
- › Event notification through SNMP traps and Relay Output
- › Voltage transient protection on all power and signal input/output lines provides protection from power surges and other voltage transient events.
- › RSTP supported
- › Redundant AC/DC inputs for uninterrupted operation in the event of a loss of operating power or a power supply failure
- › Supports LLDP (Link Layer Discovery Protocol)
- › Supports Jumbo Frames up to 10K Bytes
- › SNMP v1/v2c/v3 for secure network management
- › Lifetime Warranty
- › Made in the USA

APPLICATIONS

- › 10/100/1000 Mbps Ethernet
- › Perimeter Protection Surveillance Systems
- › IP Video

* SFP = Small Form-Factor Pluggable Module

† CNGE2+2SMSPOE or CNGE2+2SMSPOEHO models only

SPECIFICATIONS

Data

Data Interface	Ethernet
Data Rate	10/100/1000 Mbps IEEE 802.3 Compliant Full Duplex or Half Duplex Electrical Ports/Full Duplex Optical Port
Electrical	CNGE2+2SMSPOE Ports 1 & 2: 30 W Max CNGE2+2SMSPOEHO Ports 1 & 2: 60 W Max

Fibers¹

SFP Dependent

Connectors

Optical	Requires selection of sold-separately SFP modules. See ComNet data sheet for number and description of SFP modules.
Serial	Micro USB
Contact	Terminal Block (PoE Models Only)
Power	Terminal Block
Data	RJ45

PoE Pin Assignment

RJ45 port supports IEEE802.3at
End-point Positive (VCC+): RJ45 pin 1, 2 (RJ45 pin 1,2 and 4,5 on 60W ports)
Negative (VCC-): RJ45 pin 3, 6 (RJ45 pin 3,6 and 7,8 on 60W ports)

LED Indicators

- Optical Link/Data Activity
- Electrical Link/Data Activity
- Power - PoE - Management

Power

Operating Voltage	Dual 48 to 57 VDC PoE, 9 to 36 VDC or 24 VAC non PoE
Current Draw	3.5A max, with PoE, 1A w/out PoE

Electrical & Mechanical

Surface Mount	Wall or Flat Surface Screw Attachment
Current Protection	Automatic Resettable Solid-State Current Limiters
Circuit Board	Meets IPC Standard
Size	4.1 × 3.7 × 1.46 in (10.4 × 9.4 × 3.7 cm)
Shipping Weight	<2 lbs./0.9 kg

Environmental

MTBF	>100,000 hours
Operating Temp	-40° C to +75° C
Storage Temp	-40° C to +85° C
Relative Humidity	0% to 95% (non-condensing) ²

Network Redundancy

STP / RSTP

Management

SNMP	SNMP V1/2c/3
HTTP	Web GUI Configuration Interface
CLI	Serial Command Line Interface

Switch Properties

Switching Latency	7 μs
Switching Bandwidth	8 Gbps
MAC Table	1K
Processing	Store-and-Forward

Fault Alarm

Form A contacts for local fault event alarming	
Relay Output	Rated 1A @ 24 VDC, non-resistive loads (PoE models only)

Software Features

RSTP (IEEE 802.1D/w)
Port Configuration, Status, Statistics, Security
PoE Configuration, Status, Health Check
SNMP
Enable/Disable Ports, MAC based port security

Ethernet Standards

IEEE 802.3 for 10BASE-T
IEEE 802.3u for 100BASE-TX and 100BASE-FX
IEEE 802.3z for 1000BASE-X
IEEE 802.3ab for 1000BASE-T
IEEE 802.1w for RSTP (Rapid Spanning Tree Protocol)
IEEE 802.1AB for LLDP (Link Layer Discovery Protocol)
IEEE 802.3at for Power Sourcing Equipment (PSE) and PoE (≤ 30 W per port)
IEEE 802.3x Flow Control and Back Pressure

[1] Multimode fiber needs to meet or exceed fiber standard ITU-T G.651.
Single mode fiber needs to meet or exceed fiber standard ITU-T G.652

AGENCY COMPLIANCE



MADE IN THE
USA

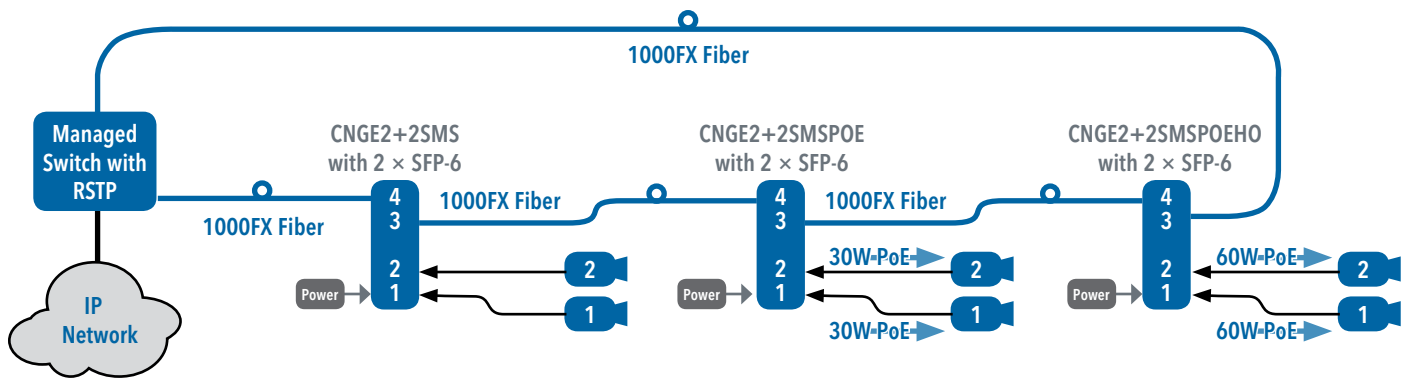
ORDERING INFORMATION

Part Number	Description
CNGE2+2SMS	4 Port Gigabit Ethernet Self-managed Switch 2 SFP FX, 2TX
CNGE2+2SMSPOE	4 Port Gigabit Ethernet Self-managed Switch 2 SFP FX, 2TX with 30W of PoE+ power
CNGE2+2SMSPOEHO	4 Port Gigabit Ethernet Self-managed Switch, 2 SFP FX, 2TX with 60W of PoE+ power
Included Accessories	DC Plug-in Power Supply, 90-264 VAC, 50-60 Hz (included with CNGE2+2SMS only)
Options	Power Supply for PoE Models (Extra charge, consult factory) User-selection of SFP or CopperLine™ CL-SFP modules (Extra charge, consult factory) [2] Add suffix '/C' for Conformally Coated Circuit Boards to extend to condensation conditions (Extra charge, consult factory) DIN-Rail Mounting Adaptor Plate Kit - With mounting hardware (Optional, order model DINBKT2 or DINBKT4)

NOTE: This product requires a fiber installation with a minimum 30 dB connector return loss. The use of Super Polish Connectors is recommended. Complies with FDA Performance Standard for Laser Products, Title 21, Code of Federal Regulations, Subchapter J. In a continuing effort to improve and advance technology, product specifications are subject to change without notice.

TYPICAL APPLICATIONS

1 Gbps Fiber Ring Example



100 Mbps Legacy Copper Ring

